

Trust & Technology



Tongtai

ISO 9001 ISO 14001 CE

A Worldwide Tradition of Quality Products and Customer Service

Vertical Machining Center TMV-610A+APC

High ■Quality ■Precision ■Efficiency ■Economy



Tongtai Machine & Tool Co.,Ltd.

TMV-610A+APC Standard Specifications

Item	Specification	Unit	TMV-610A+APC
TABLE	Working Area (LxW)	mm	700x410
	Max Load Capacity	kg	200×2
	Table Height From Floor	mm	900
	T-Slot (Size×No.)	mm	18×5
SPINDLE	Spindle Nose		7/24 Taper No.40
	Spindle Speed	rpm	8000
	Spindle Bearing Diameter	mm	
TRAVEL	X/Y/Z Axis Stroke	mm	610/410/460
	Spindle Nose to Table	mm	220-680
FEED	X/Y/Z Rapid Traverse	m/min	24/24/24
	Cutting Feedrate	mm/min	1-10000
ATC	Tool Shank		
	Tool Capacity	pcs	12
	Max. Tool Diameter	mm	Ø100
	Max. Tool Diameter(w/o Adjacent Tool)	mm	
	Max. Tool Length	mm	250
	Max. Tool Weight	kg	4.5
MOTOR	Spindle Motor(50% ED)	kW	7.5/5.5
	X/Y/Z Servo Motor	kW	3.0/3.0/3.0
	Coolant Motor	kW	0.37
MACHINE	L x W x H	mm	2150x3450x2910
	Weight	kg	6000

Standard Accessories

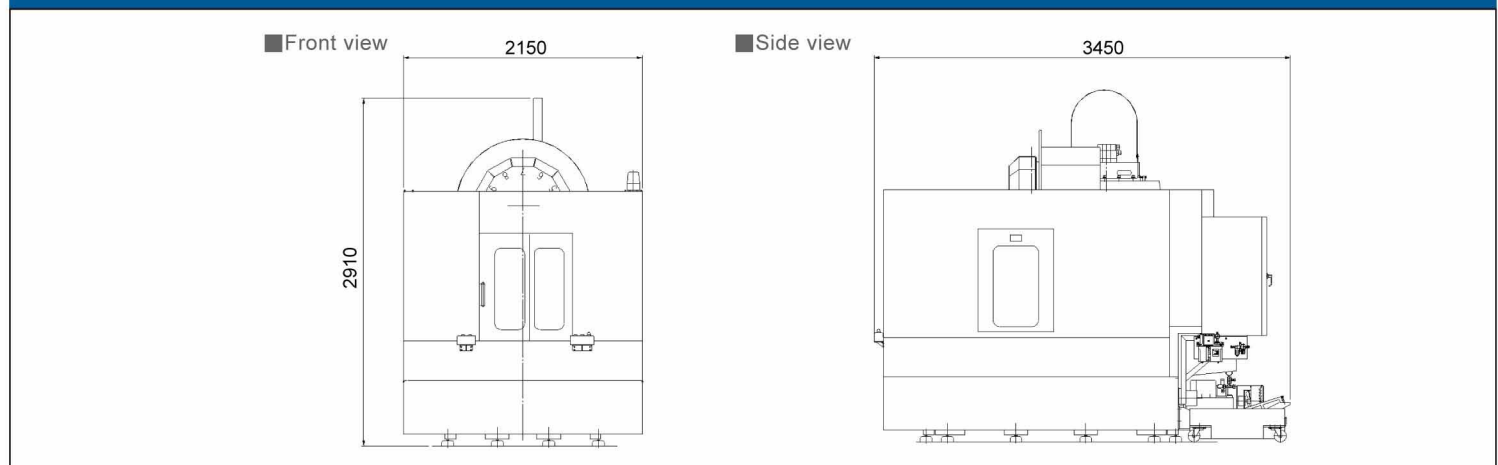
- Spindle Motor 8000 RPM.
- Air Blower Unit
- Rigid Tapping
- Halogen
- Coolant Unit
- Automatic Lubrication Equipment
- Full-Enclosed Splash Equipment
- Door Interlock Unit
- Spindle Load Meter
- Workpiece Counter

Option Accessories

- Spindle Motor 4000 / 12000 RPM.
- Transformer / Stabilizer
- Auto Door
- Tool Length Automatic Measuring Unit
- Tool Life Management
- Tool Breakage Detector
- Oil Separator /Oil & Mist Collector
- Chip Conveyor / Chips Tank
- 4 TH-Axis Function
- A/C For Electric Cabinet
- M CODE
- Auto Power Off
- Sub Operation Box

©SPECIFICATIONS MAY BE CHANGED WITHOUT PRIOR NOTICE

Machine Dimensions



Tongtai Machine & Tool Co., Ltd.

• HEAD OFFICE
NO.3, LUKE 3rd. RD., LUZHU DISTRICT, KAOHSIUNG CITY, 82151, TAIWAN.
TEL : 886-7-9761588 FAX : 886-7-9761589/886-7-9761590
Website : <http://www.tongtai.com.tw>

• TAOYUAN OFFICE TEL : 886-3-4551399 FAX : 886-3-4559730

• TAICHUNG OFFICE TEL : 886-4-23589313 FAX : 886-4-23588913

• TONGTAI SEIKI U.S.A INC. TEL : 1-845-2675500 FAX : 1-845-2675546

• Tongtai Machine & Tool Japan Co., Ltd TEL : 81-4-71438355 FAX : 81-4-71438360

• TONGTAI SEIKI VIETNAM LIMITED TEL : 84-435112529

• EUROPE OFFICE TEL : 31-161-454639 FAX : 31-161-454768

• THAILAND OFFICE TEL : 66-2-7443440 FAX : 66-2-3986518

• INDONESIA OFFIC TEL : 62-21-45850521 FAX : 62-21-45840522

• MALAYSIA OFFICE TEL : 60-3-78456815 FAX : 60-3-78456851

• CHINA OFFICE
SHUZHOU TONG-YU MACHINE & TOOL CO., LTD.
TEL : 86-512-63430168 FAX : 86-512-63431622
E-mail : sales@tong-yu.com.cn

• WUHAN OFFICE TEL : 86-27-59409109 FAX : 86-27-59409110

• SHANGHAI OFFICE TEL : 86-21-24208138 FAX : 86-21-34073262

• CHONGQING OFFICE TEL : 86-23-67865925 FAX : 86-23-67867717

• GUANGZHOU OFFICE TEL : 86-755-27222119 FAX : 86-755-27222115

• TIANJIN OFFICE TEL : 86-22-24417640 FAX : 86-22-24416738