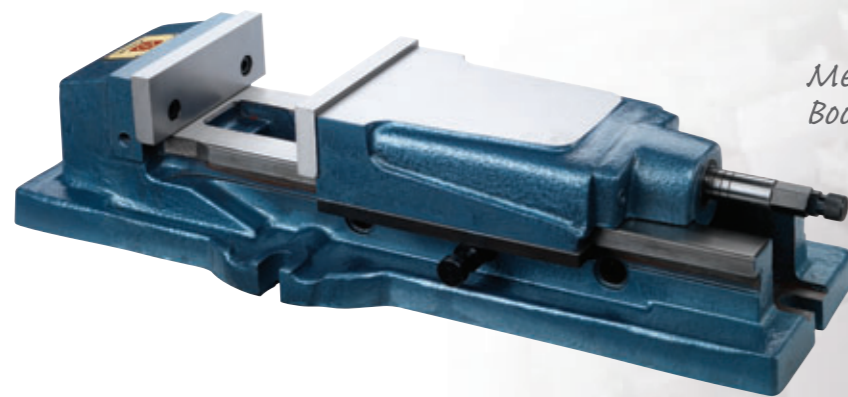


Mechanical Power Machine Vise

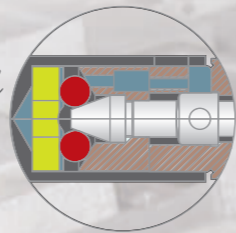
MP-50, 60, 80

Workholding

Unique Ball design structure provides powerful clamping forces. Inside Disc-Spring to against shocks and vibrations while operation. High accuracy of tolerance ensures reliability and long durability.

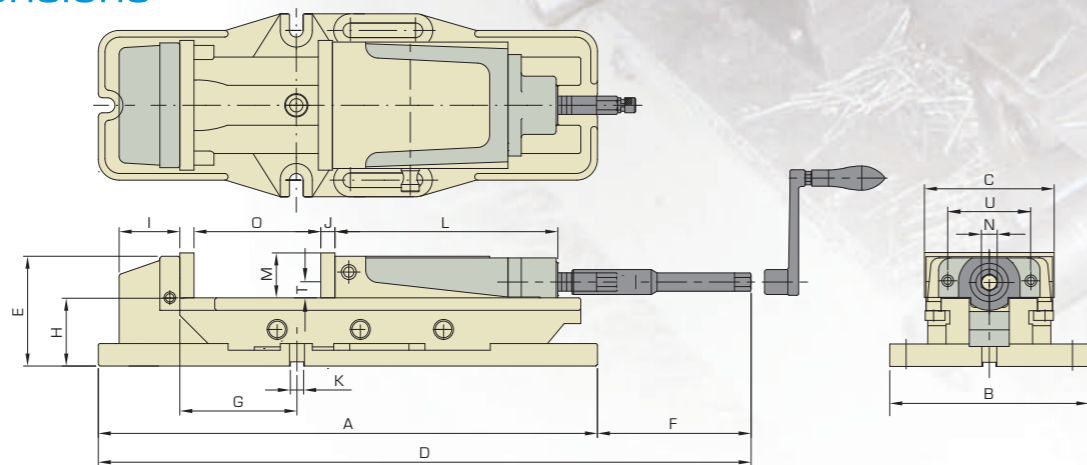


Mechanical Booster



- Rigid constructed suitable for machining such as mill, grind, drill and shape.
- Easy operation could bring different clamping force.
- Rigid and tensile vise body. Accuracy beyond others in the market.
- Securely grips rectangular and irregularly shaped workpieces, minimizing setup time and lowering production costs.

MP Dimensions



MP DIMENSIONS																		mm/kg		
NO	A	B	C	D	E	F	G	H	I	J	K	L	M	N	O	P	T	U	Clamping force	Weight
MP-50	538	203	130	670	117	132	82	72	82	15	16	175	46	19	220	60	16	85	40KN	37kg
MP-60	608	220	154	800	132	180	140	82	74	17	16	208	54	19	300	80	18	100	50KN	57.5kg
MP-80	700	285	206	900	160	200	118	100	113	21	18	245	62	19	300	100	24.5	120	60KN	104kg

Hydraulic Power Machine Vise

HP-40, 50, 60, 80

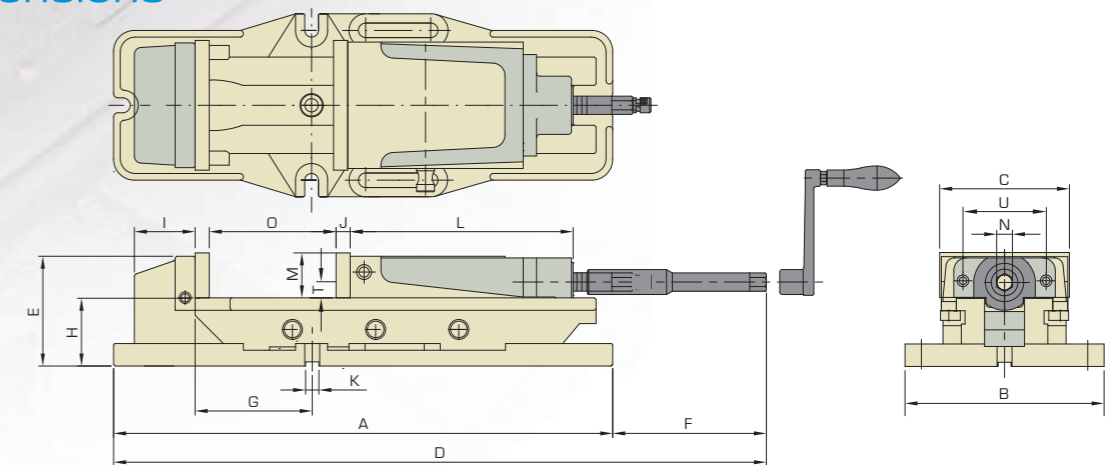
Workholding

HP Vise is the first Hydraulic Power Vise in Taiwan. The hydraulic booster provides a steady clamping force against shocks and vibrations during the operations, since it fastens the work-piece securely with the aid of the Disc-spring mounted inside. Clamping force will never loose except to be done manually.



- Suitable for every machine center. Can be change to non-Booster system.
- Special design ensures the workpiece does not deflect and lift.
- Rigid and tensile vise body. Accuracy beyond others in the market.
- Securely grips rectangular and irregularly shaped workpieces, minimizing setup time and lowering production costs.

HP Dimensions



HP DIMENSIONS																		mm/kg	
NO	A	B	C	D	E	F	G	H	I	J	K	L	M	N	O	T	U	Clamping force	Weight
HP-40	435	165	104	525	93	90	63	58	68	11	16	153	36	14	170	10	70	25KN	24kg
HP-50	538	203	130	670	117	132	82	72	82	15	16	175	46	19	220	16	85	35KN	37kg
HP-60	608	220	154	800	132	180	140	82	74	17	16	208	54	19	300	18	100	44KN	57.5kg
HP-80	700	285	206	900	160	200	118	100	113	21	18	245	62	19	300	24.5	120	55KN	104kg