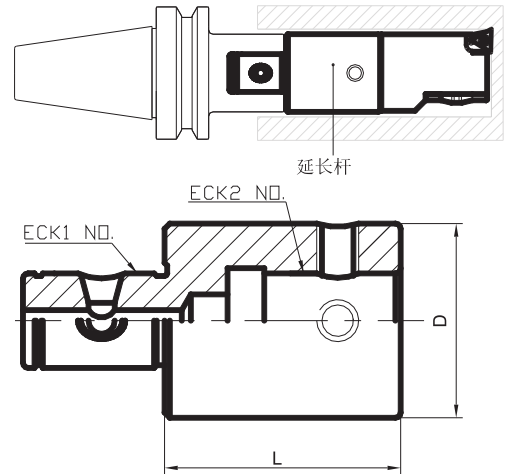


鏜刀延長杆 EXTENSION SHANK FOR BORING HOLDERS

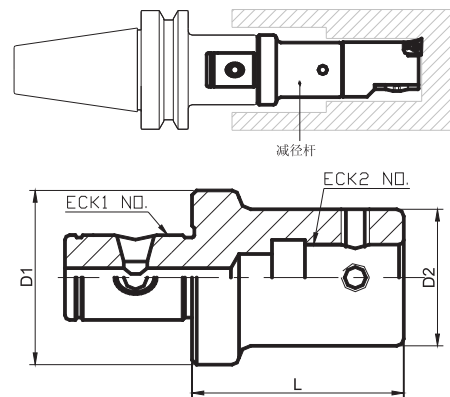
Evermore®

鏜孔刀具系列



訂貨型號 Order Code	ECK1 No .	ECK2 No .	L	ØD
ECK0-0-35	0	0	35	21
ECK1-1-45	1	1	45	23
ECK2-2-45	2	2	45	29
ECK3-3-45	3	3	45	37
ECK4-4-45	4	4	45	48
ECK5-5-75	5	5	75	60
ECK6-6-75	6	6	75	80

鏜刀減徑杆 REDUCTION SHANK FOR BORING HOLDERS



訂貨型號 Order Code	ECK1 No .	ECK2 No .	L	ØD1	ØD2
ECK1-0-35	1	0	35	23	21
ECK2-0-35	2	0	35	29	21
ECK2-1-45	2	1	45	29	23
ECK3-1-45	3	1	45	37	23
ECK3-2-45		2			29
ECK4-2-45	4	2	45	48	29
ECK4-3-45		3			37
ECK5-3-75	5	3	75	60	37
ECK5-4-75		4			48
ECK6-4-100	6	4	100	80	48
ECK6-5-100		5			60