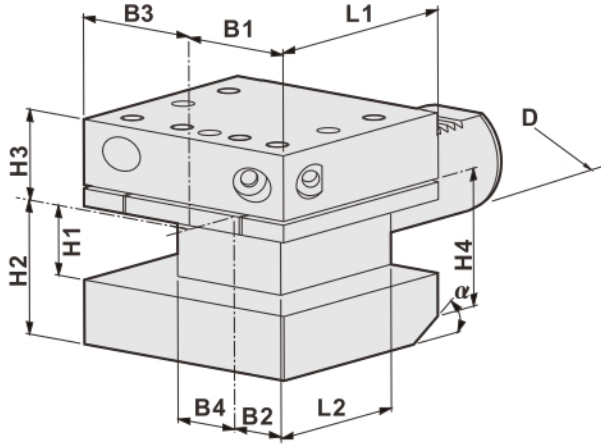


DIN 69880 COMBINED STATIC HOLDERS

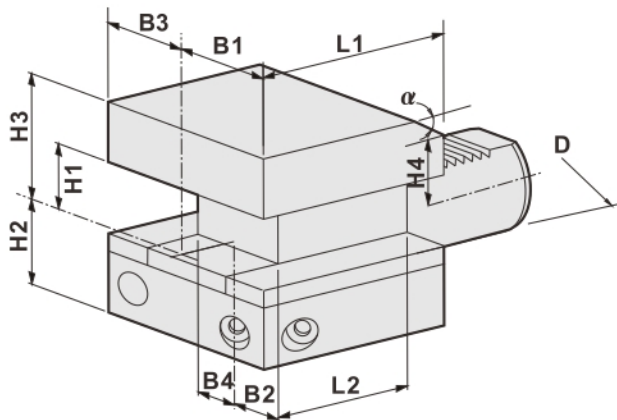


D1

- Right-hand
- External Coolant Supply

DIMENSIONS

D	B1	B2	B3	B4	H1	H2	H3	H4	L1	L2	α	Code No.	Order No.
30	35	17	41	23	3/4" (inch)	38	35	30	60	42	25°	4E1511-000	D1-30x3/4"
					20 (mm)							405511-000	D1-30x20
30	35	17	41	23	3/4" (inch)	38	32.5	40	90	72	15°	4E1515-000	D1-30-C3/4"x3-90
					20 (mm)							405515-000	D1-30-C20x3-90
40	42.5	21	47.5	25.5	1" (inch)	48	42.5	40	72	50	25°	4F1511-000	D1-40x1"
					25 (mm)							406511-000	D1-40x25
50	50	26	55	30.5	1-1/4" (inch)	60	50	-	85	60	-	4G1511-000	D1-50x1-1/4"
					32 (mm)							407511-000	D1-50x32
60	57.5	33	57.5	33	1-1/4" (inch)	62.5	62.5	-	110	85	-	4G1523-000	D1-60x1-1/4"
					32 (mm)							407523-000	D1-60x32



D2

- Left-hand
- External Coolant Supply

DIMENSIONS

D	B1	B2	B3	B4	H1	H2	H3	H4	L1	L2	α	Code No.	Order No.
30	35	17	41	23	3/4" (inch)	38	35	30	60	42	25°	4E1512-000	D2-30x3/4"
					20 (mm)							405512-000	D2-30x20
40	42.5	21	47.5	25.5	1" (inch)	48	42.5	40	72	50	25°	4F1512-000	D2-40x1"
					25 (mm)							406512-000	D2-40x25
50	50	26	55	30.5	1-1/4" (inch)	60	50	-	85	60	-	4G1512-000	D2-50x1-1/4"
					32 (mm)							407512-000	D2-50x32
60	57.5	33	57.5	33	1-1/4" (inch)	62.5	62.5	-	110	85	-	4G1524-000	D2-60x1-1/4"
					32 (mm)							407524-000	D2-60x32