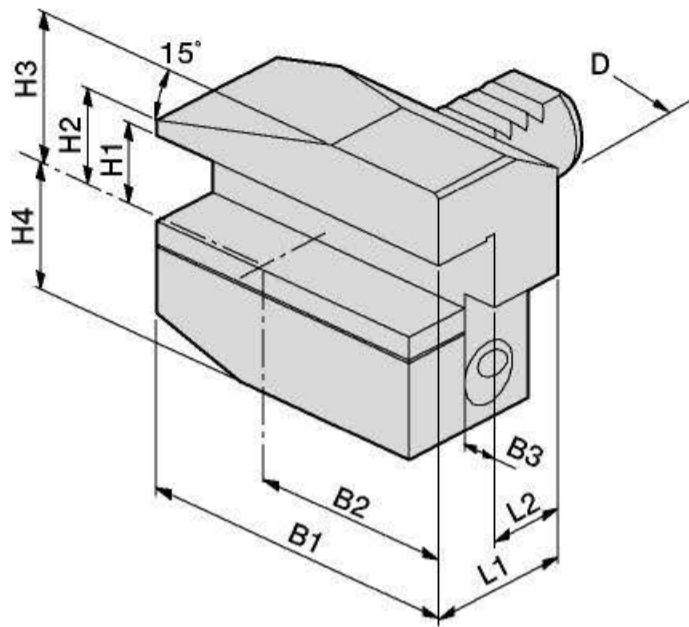


DIN 69880 RADIAL STATIC HOLDERS

TYPE

B7 B8

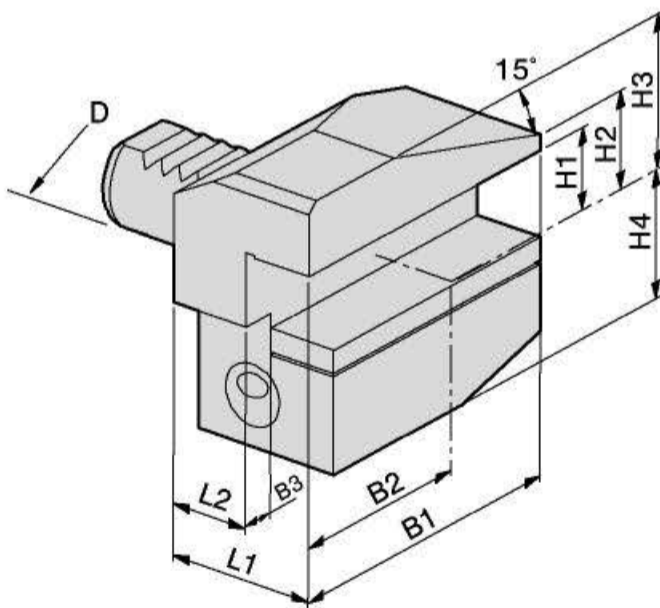


B7

- Right-hand
- Long
- External Coolant Supply

DIMENSIONS

D	B1	B2	B3	H1	H2	H3	H4	L1	L2	Order No.
20	75	50	7	16(5/8")	19	30	25	30	16	B7-20x16(5/8")
30	100	65	10	20(3/4")	22	38	35	40	22	B7-30x20(3/4")
40	118	75.5	12.5	25(1")	30	48	42.5	44	22	B7-40x25(1")
50	130	80	16	32(1-1/4")	35	60	50	55	30	B7-50x32(1-1/4")
60	145	82.5	16	32(1-1/4")	42.5	62.5	42.5	60	30	B7-60x32(1-1/4")



B8

- Left-hand
- Long
- External Coolant Supply

DIMENSIONS

D	B1	B2	B3	H1	H2	H3	H4	L1	L2	Order No.
20	75	50	7	16(5/8")	19	30	25	30	16	B8-20x16(5/8")
30	100	65	10	20(3/4")	22	38	35	40	22	B8-30x20(3/4")
40	118	75.5	12.5	25(1")	30	48	42.5	44	22	B8-40x25(1")
50	130	80	16	32(1-1/4")	35	60	50	55	30	B8-50x32(1-1/4")
60	145	82.5	16	32(1-1/4")	42.5	62.5	42.5	60	30	B8-60x32(1-1/4")