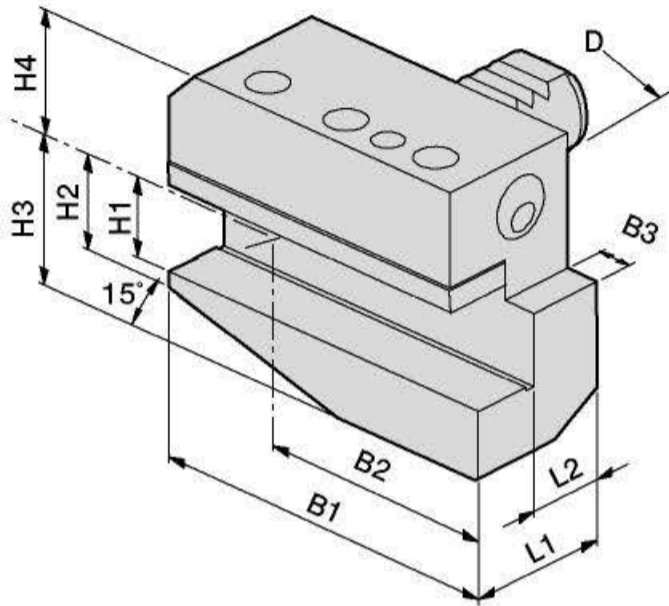


DIN 69880 RADIAL STATIC HOLDERS

TYPE

B5 B6

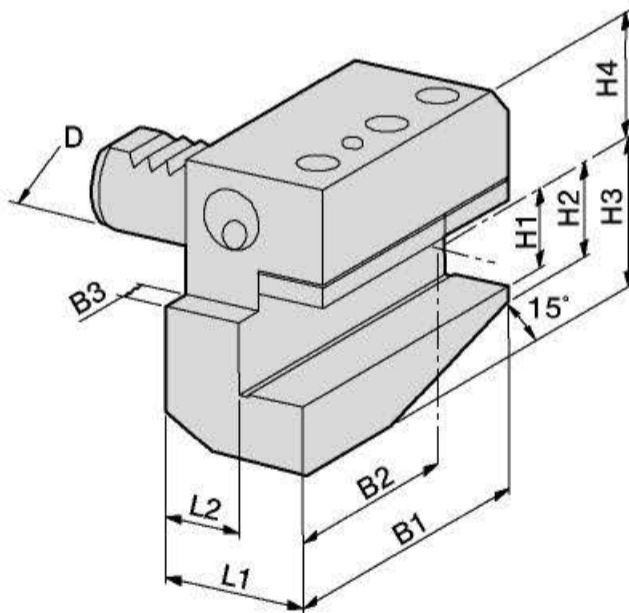


B5

- Right-hand
- Long
- External Coolant Supply

DIMENSIONS

D	B1	B2	B3	H1	H2	H3	H4	L1	L2	Order No.
20	75	50	7	16(5/8")	19	30	25	30	16	B5-20x16(5/8")
30	100	65	10	20(3/4")	26	38	28	40	22	B5-30x20(3/4")
40	118	76	12.5	25(1")	35	48	32.5	44	22	B5-40x25(1")
50	130	80	16	32(1-1/4")	42	60	35	55	30	B5-50x32(1-1/4")
60	145	83	16	32(1-1/4")	46	62.5	42.5	60	30	B5-60x32(1-1/4")



B6

- Left-hand
- Long
- External Coolant Supply

DIMENSIONS

D	B1	B2	B3	H1	H2	H3	H4	L1	L2	Order No.
20	75	50	7	16(5/8")	19	30	25	30	16	B6-20x16(5/8")
30	100	65	10	20(3/4")	26	38	28	40	22	B6-30x20(3/4")
40	118	76	12.5	25(1")	35	48	32.5	44	22	B6-40x25(1")
50	130	80	16	32(1-1/4")	42	60	35	55	30	B6-50x32(1-1/4")
60	145	83	16	32(1-1/4")	46	62.5	42.5	60	30	B6-60x32(1-1/4")