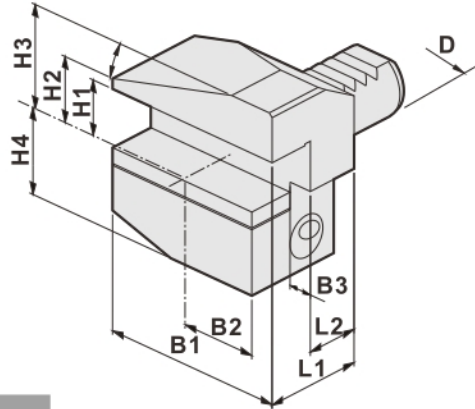


DIN 69880 RADIAL STATIC HOLDERS

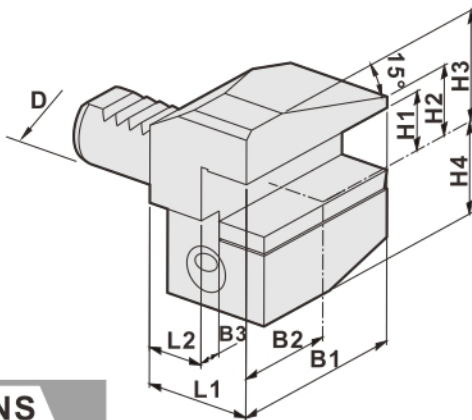


B3

- Right-hand
- Short
- External Coolant Supply

DIMENSIONS

D	B1	B2	B3	H1	H2	H3	H4	L1	L2	Code No.	Order No.
20	55	30	7	5/8" (inch)	19	30	25	30	16	4D1502-000	B3-20x5/8"
				16 (mm)						404502-000	B3-20x16
30	70	35	10	3/4" (inch)	22	38	35	40	22	4E1502-000	B3-30x3/4"
				20 (mm)						405502-000	B3-30x20
30	85	30	12.5	1" (inch)	31.5	47.5	35.5	45	23	4F1515-000	B3-30xC1"
				25 (mm)						406515-000	B3-30xC25
40	85	42.5	12.5	1" (inch)	30	48	42.5	44	22	4F1502-000	B3-40x1"
				25 (mm)						406502-000	B3-40x25
50	100	50	16	1-1/4" (inch)	35	60	50	55	30	4G1502-000	B3-50x1-1/4"
				32 (mm)						407502-000	B3-50x32
60	125	62.5	16	1-1/4" (inch)	42.5	62.5	62.5	60	30	4G1514-000	B3-60x1-1/4"
				32 (mm)						407514-000	B3-60x32
60	135	20	21	32 (mm)	42.5	62.5	62.5	140	110	407526-000	B3-60x32-140L



B4

- Left-hand
- Short
- External Coolant Supply

DIMENSIONS

D	B1	B2	B3	H1	H2	H3	H4	L1	L2	Code No.	Order No.
20	55	30	7	5/8" (inch)	19	30	25	30	16	5D1502-000	B4-20x5/8"
				16 (mm)						504502-000	B4-20x16
30	70	35	10	3/4" (inch)	22	38	35	40	22	5E1502-000	B4-30x3/4"
				20 (mm)						505502-000	B4-30x20
40	85	42.5	12.5	1" (inch)	30	48	42.5	44	22	5F1502-000	B4-40x1"
				25 (mm)						506502-000	B4-40x25
40	85	42.5	12.5	1" (inch)	30	48	42.5	55	30	5F1508-000	B4-40-F1"-55L
				25 (mm)						506508-000	B4-40-F25-55L
50	100	50	16	1-1/4" (inch)	35	60	50	55	30	5G1502-000	B4-50x1-1/4"
				32 (mm)						507502-000	B4-50x32
60	125	62.5	16	1-1/4" (inch)	42.5	62.5	62.5	60	30	5G1508-000	B4-60x1-1/4"
				32 (mm)						507508-000	B4-60x32