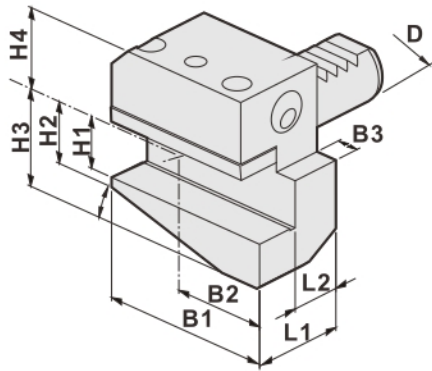


DIN 69880 RADIAL STATIC HOLDERS

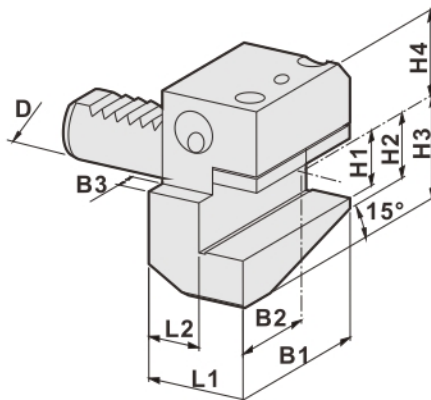


B1

- Right-hand
- Short
- External Coolant Supply

DIMENSIONS

D	B1	B2	B3	H1	H2	H3	H4	L1	L2	Code No.	Order No.
20	55	30	7	5/8" (inch)	19	30	25	30	16	4D1501-000	B1-20x5/8"
				16 (mm)						404501-000	B1-20x16
30	70	35	10	3/4" (inch)	26	38	28	40	22	4E1501-000	B1-30x3/4"
				20 (mm)						405501-000	B1-30x20
40	85	42.5	12.5	1" (inch)	35	48	32.5	44	22	4F1501-000	B1-40x1"
				25 (mm)						406501-000	B1-40x25
50	100	50	16	1-1/4" (inch)	42	60	35	55	30	4G1501-000	B1-50x1-1/4"
				32 (mm)						407501-000	B1-50x32
60	125	62.5	16	1-1/4" (inch)	46	62.5	42.5	60	30	4G1513-000	B1-60x1-1/4"
				32 (mm)						407513-000	B1-60x32



B2

- Left-hand
- Short
- External Coolant Supply

DIMENSIONS

D	B1	B2	B3	H1	H2	H3	H4	L1	L2	Code No.	Order No.
20	55	30	7	5/8" (inch)	19	30	25	30	16	5D1501-000	B2-20x5/8"
				16 (mm)						504501-000	B2-20x16
30	70	35	10	3/4" (inch)	26	38	28	40	22	5E1501-000	B2-30x3/4"
				20 (mm)						505501-000	B2-30x20
30	70	35	10	3/4" (inch)	26	38	28	100	82	5E1507-000	B2-30-F3/4"-100L
				20 (mm)						505507-000	B2-30-F20-100L
40	85	42.5	12.5	1" (inch)	35	48	32.5	44	22	5F1501-000	B2-40x1"
				25 (mm)						506501-000	B2-40x25
50	100	50	16	1-1/4" (inch)	42	60	35	55	30	5G1501-000	B2-50x1-1/4"
				32 (mm)						507501-000	B2-50x32
60	125	62.5	16	1-1/4" (inch)	46	62.5	42.5	60	30	5G1507-000	B2-60x1-1/4"
				32 (mm)						507507-000	B2-60x32