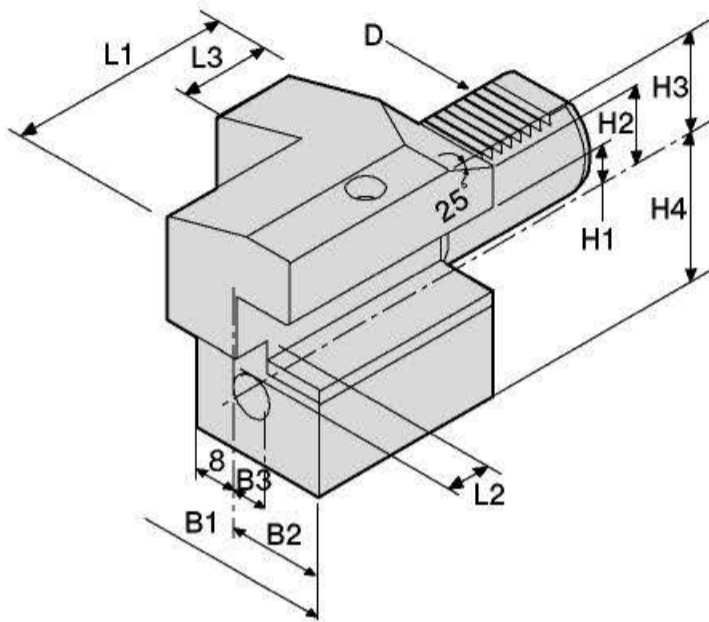


DIN 69880 AXIAL STATIC HOLDERS

TYPE

C3 C4

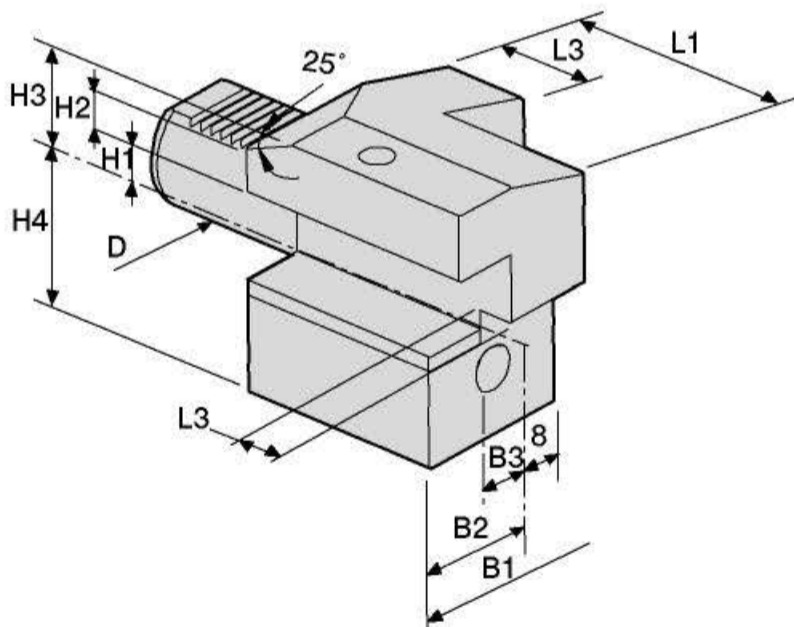


C3

- Right-hand
- External Coolant Supply

DIMENSIONS

| D | B1 | B2 | B3 | H1 | H2 | H3 | H4 | L1 | L2 | L3 | Order No. |
|----|-----|------|----|------------|----|------|------|-----|------|----|------------------|
| 20 | 65 | 40 | 26 | 16(5/8") | 23 | 30 | 25 | 50 | 7 | 30 | C3-20x16(5/8") |
| 30 | 70 | 35 | 17 | 20(3/4") | 28 | 38 | 35 | 70 | 10 | 30 | C3-30x20(3/4") |
| 40 | 85 | 42.5 | 21 | 25(1") | - | 48 | 42.5 | 85 | 12.5 | 30 | C3-40x25(1") |
| 50 | 100 | 50 | 26 | 32(1-1/4") | - | 60 | 50 | 100 | 16 | 40 | C3-50x32(1-1/4") |
| 60 | 125 | 62.5 | 33 | 32(1-1/4") | - | 62.5 | 62.5 | 125 | 16 | 40 | C3-60x32(1-1/4") |



C4

- Left-hand
- External Coolant Supply

DIMENSIONS

| D | B1 | B2 | B3 | H1 | H2 | H3 | H4 | L1 | L2 | L3 | Order No. |
|----|-----|------|------|------------|----|------|------|-----|------|----|------------------|
| 20 | 65 | 40 | 26 | 16(5/8") | 23 | 30 | 25 | 50 | 7 | 30 | C4-20x16(5/8") |
| 30 | 76 | 41 | 23 | 20(3/4") | 28 | 38 | 35 | 70 | 10 | 30 | C4-30x20(3/4") |
| 40 | 90 | 47.5 | 25.5 | 25(1") | - | 48 | 42.5 | 85 | 12.5 | 30 | C4-40x25(1") |
| 50 | 105 | 55 | 30.5 | 32(1-1/4") | - | 60 | 50 | 100 | 16 | 40 | C4-50x32(1-1/4") |
| 60 | 125 | 62.5 | 33 | 32(1-1/4") | - | 62.5 | 62.5 | 125 | 16 | 40 | C4-60x32(1-1/4") |