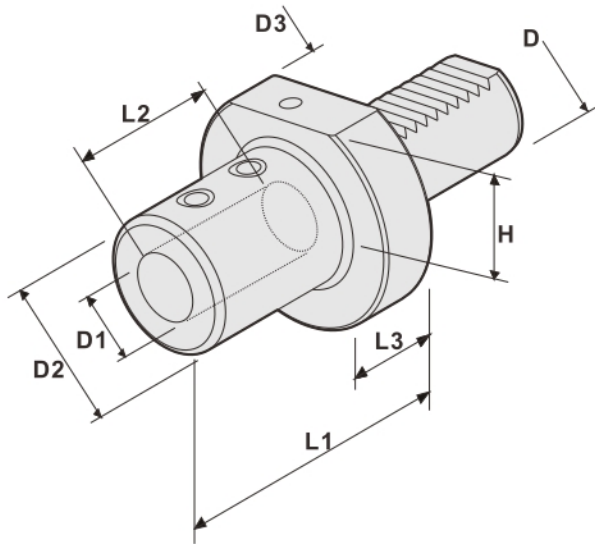


DIN 69880 STATIC HOLDERS



E1

- U Drills
- Internal Coolant Supply

DIMENSIONS

D	D1	D2	D3	H1	L1	L2	L3	Code No.	Order No.
20	3/4" (inch)	40	50	-	67	57	18	3E1506-000	E1-20x3/4"
	20 (mm)							305506-000	E1-20x20
20	1" (inch)	45	50	-	71	59	18	3F1506-000	E1-20x1"
	25 (mm)							306506-000	E1-20x25
30	3/4" (inch)	40	68	28	67	54	22	3E1507-000	E1-30x3/4"
	20 (mm)							305507-000	E1-30x20
30	1" (inch)	45	68	28	71	59	22	3F1507-000	E1-30x1"
	25 (mm)							306507-000	E1-30x25
30	1-1/4" (inch)	52	68	28	75	63	22	3G1505-000	E1-30x1-1/4"
	32 (mm)							307505-000	E1-30x32
40	5/8" (inch)	36	83	32.5	64	51	22	3D1508-000	E1-40x5/8"
	16 (mm)							304508-000	E1-40x16
40	3/4" (inch)	40	83	32.5	67	54	22	3E1508-000	E1-40x3/4"
	20 (mm)							305508-000	E1-40x20
40	1" (inch)	45	83	32.5	75	59	22	3F1508-000	E1-40x1"
	25 (mm)							306508-000	E1-40x25
40	1-1/4" (inch)	52	83	32.5	75	63	22	3G1506-000	E1-40x1-1/4"
	32 (mm)							307506-000	E1-40x32
40	1-1/2" (inch)	60	83	32.5	90	73	22	3H1504-000	E1-40x1-1/2"
	40 (mm)							308504-000	E1-40x40
50	3/4" (inch)	40	98	35	67	54	30	3E1509-000	E1-50x3/4"
	20 (mm)							305509-000	E1-50x20
50	1" (inch)	45	98	35	80	59	30	3F1509-000	E1-50x1"
	25 (mm)							306509-000	E1-50x25
50	1-1/4" (inch)	52	98	35	80	63	30	3G1507-000	E1-50x1-1/4"
	32 (mm)							307507-000	E1-50x32
50	1-1/2" (inch)	60	98	35	90	73	30	3H1505-000	E1-50x1-1/2"
	40 (mm)							308505-000	E1-50x40
50	1-1/2" (inch)	68	98	35	135	73	30	3H1506-000	E1-50x1-1/2"-135L
	40 (mm)							308506-000	E1-50x40-135L
50	1-1/2" (inch)	68	98	35	135	108	30	3H1507-000	E1-50x1-1/2"-135L-L1
	40 (mm)							308507-000	E1-50x40-135L-L1
50	2" (inch)	70	98	35	100	83	30	3I1503-000	E1-50x2"
	50 (mm)							309503-000	E1-50x50