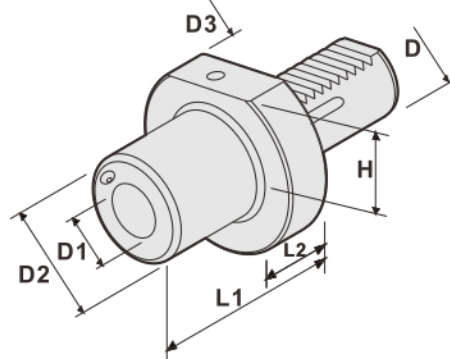


DIN 69880 STATIC HOLDERS 莫氏鑽頭

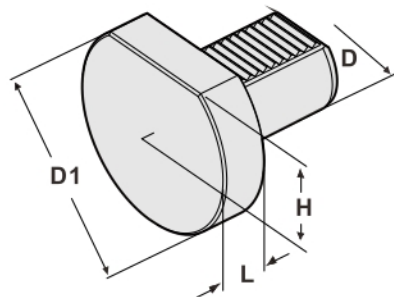


- Tool holders with morse taper according DIN 228
- External coolant supply

DIMENSIONS

D	D1	D2	D3	H	L1	L2	Code No.	Order No.
20	MT1	-	50	-	23	-	820MT1-000	F20-MT1
30	MT1	52	68	28	27	22	830MT1-000	F30-MT1
30	MT2	58	68	28	43	22	830MT2-000	F30-MT2
30	MT3	64	68	28	66	22	830MT3-000	F30-MT3
40	MT1	55	83	32.5	36	22	840MT1-000	F40-MT1
40	MT2	66	83	32.5	43	22	840MT2-000	F40-MT2
40	MT3	72	83	32.5	58	22	840MT3-000	F40-MT3
40	MT4	72	83	32.5	78	22	840MT4-000	F40-MT4
50	MT1	55	98	35	36	30	850MT1-000	F50-MT1
50	MT2	55	98	35	36	30	850MT2-000	F50-MT2
50	MT3	60	98	35	44	30	850MT3-000	F50-MT3
50	MT4	70	98	35	71	30	850MT4-000	F50-MT4
60	MT3	58	123	42.5	36	30	860MT3-000	F60-MT3
60	MT4	68	123	42.5	50	30	860MT4-000	F60-MT4

PLUG 保孔蓋



- Made From Plastic
- Made From Metal

DIMENSIONS

D	D1	H	L	Code No.	Order No.	Material
20	50	-	16	Z2000S-000	Z20S	Metal
30	68	26.5	16	Z30000-000	Z30	Plastic
				Z3000S-000	Z30S	Metal
40	82	32	20	Z40000-000	Z40	Plastic
				Z4000S-000	Z40S	Metal
50	98	35	20	Z5000S-000	Z50S	Metal
60	116	-	20	Z6000S-000	Z60S	Metal