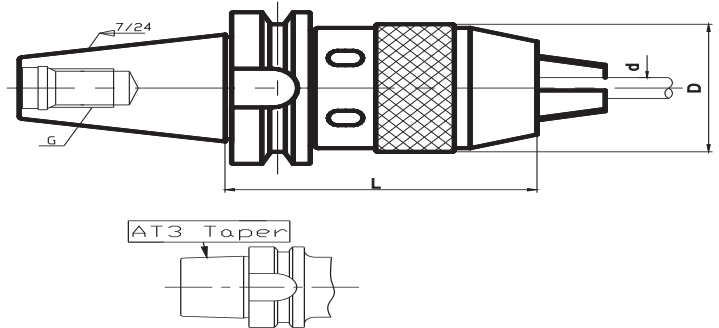


訂貨型號 Order Code	L	ØD	筒夾型號 Collet Type	重量(Kg) Weight
BT30-WER16-90	90	30	ER16	0.8
-WER20-100	100	34	ER20	0.9
BT40-WER16-90	90	30	ER16	1.3
-WER20-100	100	34	ER20	1.4
-WER25-110	110	42	ER25	1.7
-WER32-120	120	50	ER32	1.9
BT50-WER16-90	90	30	ER16	3.9
-WER20-100	100	34	ER20	4.0
-WER25-110	110	42	ER25	4.2
-WER32-120	120	50	ER32	4.5
-200	200	50	ER32	5.2

★ 以上規格均不含扳手、筒夾及拉釘，如有需要請另外訂購。
The above model does not contain spanners, collets and pull studs, please order them if necessary.



KPU鑽夾頭刀柄 – BT柄
KPU DRILL CHUCK HOLDERS – BT (MAS403) SHANK



訂貨型號 Order Code	L	ØD	夾持範圍Ød Clamping range	G	重量(Kg) Weight
BT30-KPU08	75	36	0.5-8	M12	0.8
-KPU13	91	50	0.5-13		1.2
BT40-KPU08	80	36	0.5-8	M16	1.3
-KPU13	95	50	0.5-13		1.8
-KPU16	113	57	3-16		2.3
BT50-KPU13	105	50	0.5-13	M24	4.4
-KPU16	110	57	3-16		4.7