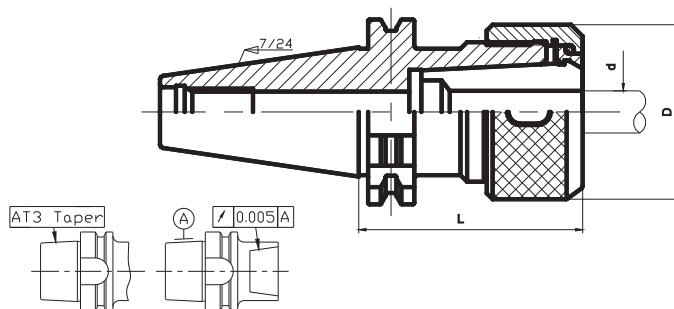


# OZ彈性筒夾刀柄 – SK柄

OZ COLLET HOLDERS – SK (DIN69871-1) SHANK



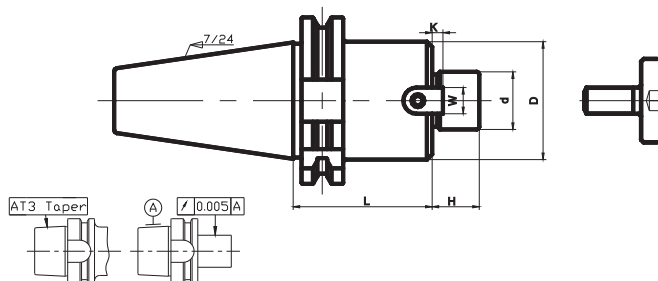
訂貨型號 Order Code	L	ØD	夾持範圍Ød Clamping range	重量(Kg) Weight
SK40-OZ25-70	70	60	6~25	1.3
-OZ32-100	100	78	6~32	2.3
SK50-OZ25-80	80	60	6~25	3.4
-OZ32-80		78	6~32	3.8

★ 以上規格均不含扳手、筒夾及拉釘，如有需要請另外訂購。  
The above model does not contain spanners, collets and pull studs, please order them additionally if necessary.

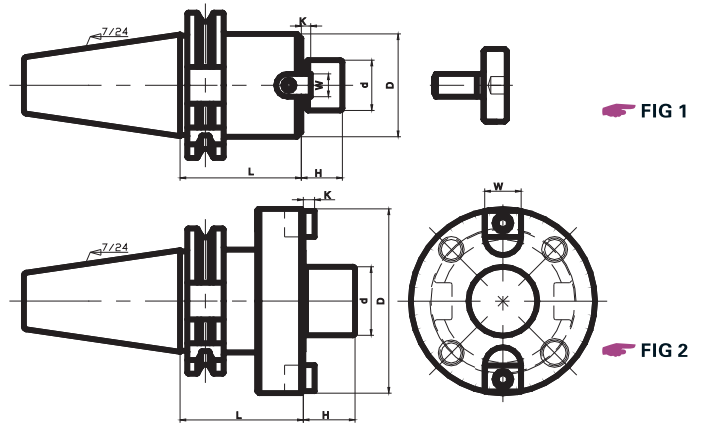


# FMA面銑刀柄 – SK柄

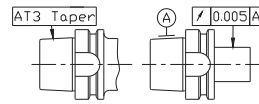
FMA FACE MILL HOLDERS – SK (DIN69871-1) SHANK



訂貨型號 Order Code	L	Ød(h6)	ØD	H	K	W	重量(Kg) Weight
SK40-FMA25.4-60	60	25.4	50	20	5	9.5	1.6
-90	90						2.0
-FMA31.75-60	60	31.75	60	22	7	12.7	1.9
-90	90						2.5
-FMA38.1-60	60	38.1	80	25	9	15.9	2.1
-90	90						2.7
SK50-FMA25.4-60	60	25.4	50	20	5	9.5	3.5
-100	100						4.1
-FMA31.75-60	60	31.75	60	22	7	12.7	3.8
-100	100						4.7
-FMA38.1-60	60	38.1	80	25	9	15.9	4.7
-100	100						6.3
-FMA50.8-60	60	50.8	100	28	12		5.6
-100	100						8.1



注：B型使用大頭鎖緊螺絲，C型使用小頭鎖緊螺絲。  
The B model uses a big clamping nut, The C model uses a small clamping nut.



訂貨型號 Order Code	圖號 FIG	L	ød(h6)	øD	H	K	W	重量(Kg) Weight		
SK40-FMB ( C ) 22-60	1	60	22	48	18	5	10	1.5		
-105		105						2.0		
-200		200						3.4		
-FMB ( C ) 27-60		1	60	27	60	20	6	12	1.8	
-120			120						2.8	
-FMB ( C ) 32-45			1	45	32	72	22	7	14	1.9
-60				60						2.2
-90		90		2.4						
-FMB ( C ) 40-60	2	60	40	80	25	8	16	2.5		
-FMB ( C ) 40F-60				110				2.6		
-FMB ( C ) 40M-60				89.3				2.0		
SK50-FMB ( C ) 22-60	1	60	22	48	18	5	10	3.3		
-FMB ( C ) 27-60			27	60	20	6	12	3.8		
-FMB ( C ) 32-60			32	72	22	7	14	4.2		
-FMB ( C ) 40-60			2	75	40	80	25	8	16	4.6
-FMB ( C ) 40F-75	110	6.4								
-FMB ( C ) 40M-75	89.3	5.1								
-FMB ( C ) 60F-75	2	75	60	140	12.5	25.4	25.4	6.9		
-FMB ( C ) 60M-75				129.1				6.5		