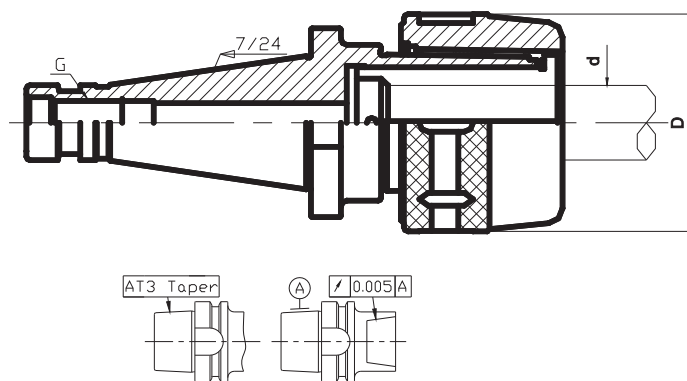


EMC強力銑刀刀柄 – DIN2080柄

EMC POWERFUL MILLING HOLDERS – DIN2080 SHANK



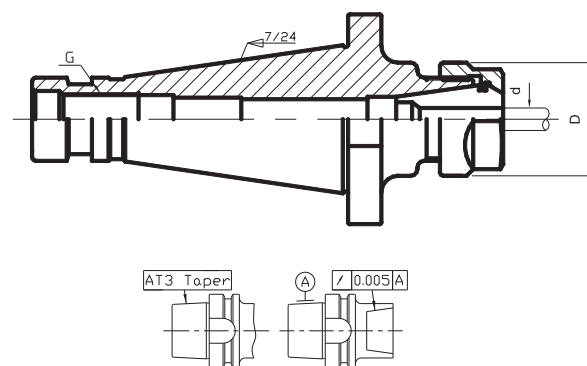
訂貨型號 Order Code	ØD	夾持範圍Ød Clamping range	G	重量(Kg) Weight
DIN2080-40-EMC32	73.5	6-32	M16 × 2.0	2.2
DIN2080-50-EMC32	73.5	6-32	M24 × 3.0	3.9

★ 單獨訂購均不帶筒夾及扳手，如有需要請另外訂購，也可訂購套裝產品（附帶筒夾7個及扳手1把）。
The collet and spanner are not included, please order them additionally if necessary. The tool package of whole set is available on request. (include a spanner and 7 collets)



ER彈性筒夾刀柄 – DIN2080柄

ER COLLET HOLDERS – DIN2080 SHANK



訂貨型號 Order Code	ØD	夾持範圍Ød Clamping range	G	重量(Kg) Weight
DIN2080-30-ER32	50	2.0-20	M12	0.7
-ER40	63	3.0-26		0.9
DIN2080-40-ER32	50	2.0-20	M16	1.0
-ER40	63	3.0-26		1.2
DIN2080-50-ER32	50	2.0-20	M24	2.8
-ER40	63	3.0-26		3.0

★ 以上規格均不含扳手及筒夾，如有需要請另外訂購。
The above model does not contain spanners and collets, please order them additionally if necessary.

