

▶ OZ刀柄內孔採用單邊1/10角度厚壁設計，夾持力是普通筒夾刀柄的2-3倍。

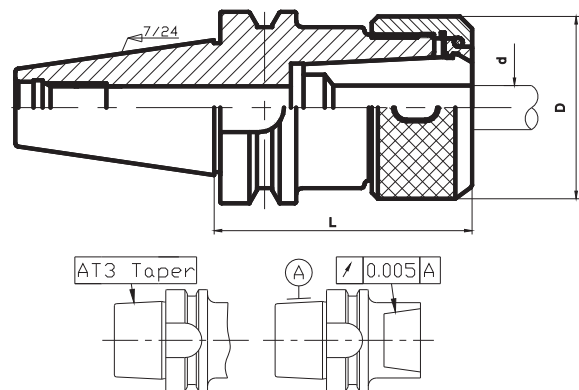
OZ holder inner hole use single-side band 1/10 angle thick wall design, clamping is up to three times more powerful than ordinary ones.

▶ 可用于粗銑、精銑、鑽孔、鉸孔、攻牙等加工，因其夾持力大的結構特性，所以特別適合用于粗加工。

Suitable for rough milling, drilling, reaming, tapping and so on. because of the extraordinary clamping power, it is especially suitable for rough processing.

▶ 螺母中採用了鋼球滾動機構，減小筒夾磨損，提高夾持力。

The nut that is used with steel ball rolling mechanism, reduce the collet wear, which improve the clamping power.



訂貨型號 Order Code	L	ØD	夾持範圍Ød Clamping range	重量(Kg) Weight
BT30-OZ25-70	70	60	6~25	0.9
BT40-OZ25-80	80	60	6~25	1.5
-100	100			2.0
-OZ32-80	80	78	6~32	2.0
BT50-OZ25-90	90	60	6~25	4.1
-150	150			5.4
-OZ32-90	90	78	6~32	4.6
-150	150			6.4

★ 以上規格均不含扳手、筒夾及拉釘，如有需要請另外訂購。

The above model does not contain spanners, collets and pull studs, please order them additionally if necessary.

