

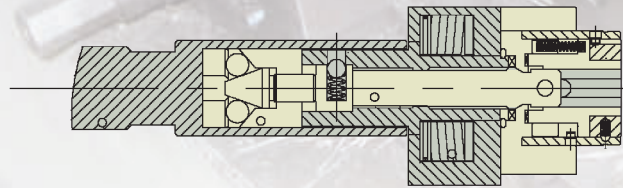
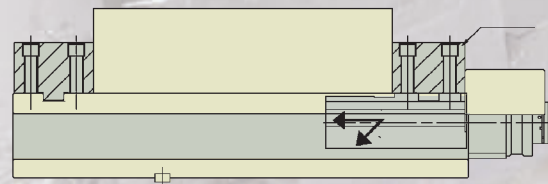
Ultra-low height Mechanical Power Vise

AVK-160, 200

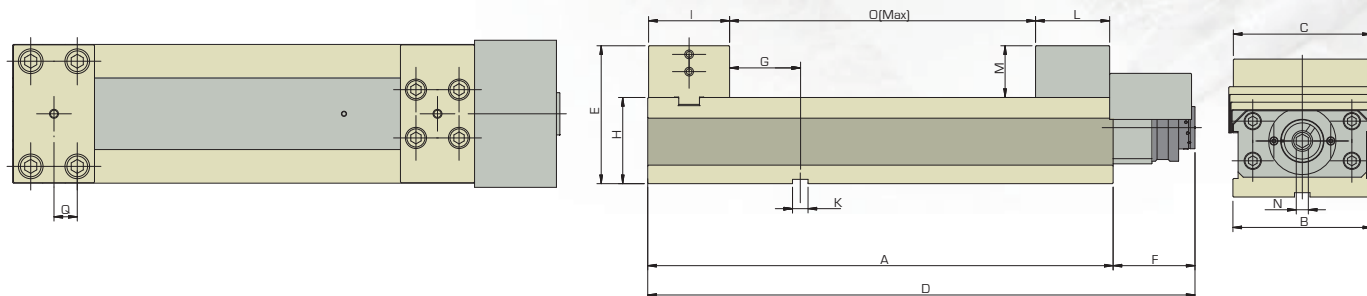
New design with ultra-low vise body and largest opening, besides, it has 3 patents: Lockwell Anti-Lift Mechanism, Mechanical Booster and Force Adjustable Function. Largest opening, high accuracy and strong rigidity for increase the efficiency and productivity.



- Vise with ultra-low bed height & largest opening.
- Force Adjustable System (patented) makes the force setting easier & steadier, moreover, it has constant pressure function & over pressure protection.
- Patented Mechanical Booster is fully sealed against dust, chips and cutting fluid for extended life time.
- Lockwell Anti-Lift mechanism (patented) ensures the workpiece does not deflect and lift.
- Rigid and tensile ductile iron FCD-60 (80,000PSI) vise body. Slide surface flame hardened to HS65° to maintain the accuracy. S50C jaw-plate has been Carburizing heat treated the hardness to HRC54°.
- Unique design facilitates the evacuation of chips.



AVK Dimensions

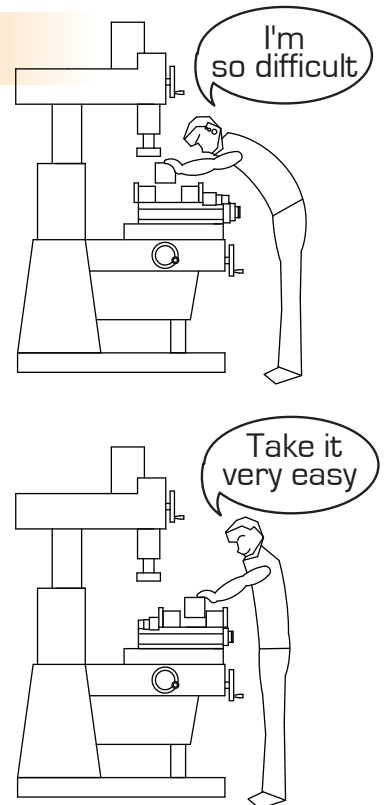


AVK DIMENSIONS																mm/kg	
NO	A	B	C	D	E	F	G	H	I	K	L	M	N	O	Q	Clamping Force	Weight
AVK-160	540	161	160	635	160	95	82	100	94	18	86	60	14	355	27	45KN	65kg
AVK-200	615	201	200	710	180	95	74	110	102	18	98	70	14	405	30	45KN	105kg

MC Mechanical Reversed Power Vise

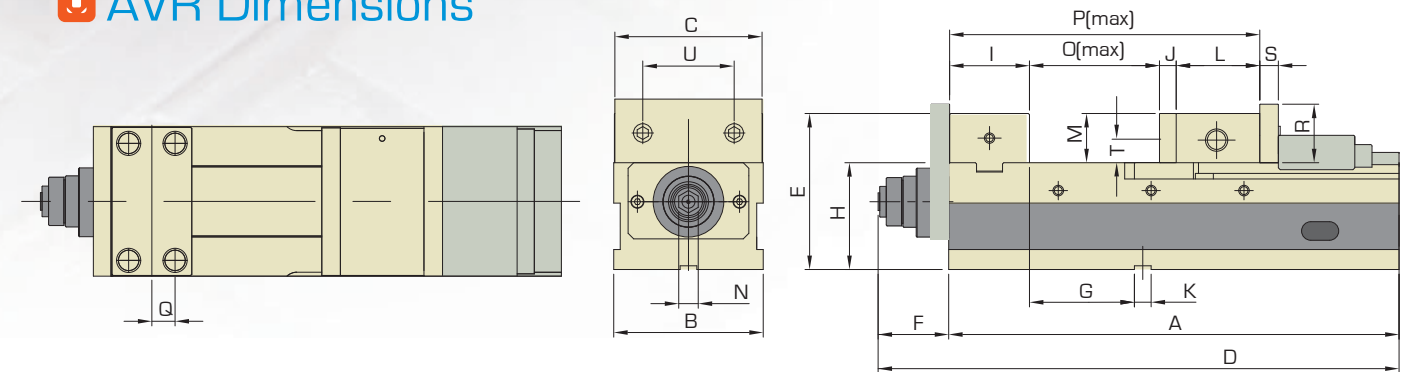
AVR-160 G/HV

Workholding



- Most suitable for VMC & HMC and owns 2 patents.
- Force Adjustable System (patented) makes the force setting easier & steadier, moreover, it has constant pressure function & over pressure protection.
- Patented Mechanical Booster is fully sealed against dust, chips and cutting fluid for extended life time.
- Unique Out-jaw design increase the clamping capacity.
- Rigid and tensile ductile iron FCD-60 (80,000PSI) vise body. Slide surface flame hardened to HS65° to maintain the accuracy. S50C jaw-plate has been Carburizing heat treated the hardness to HRC54°.
- Unique design facilitates the evacuation of chips.

AVR Dimensions



AVR DIMENSIONS																				mm/kg			
NO	A	B	C	D	E	F	G	H	I	J	K	L	M	N	O	P	Q	R	S	T	U	Clamping Force	Weight
AVR-125G/HV	390	127	124.7	460	153	70	112	100	78	15	18	87.5	53	19	173	353.5	22.5	63	20	26.5	60	35 KN	46kg
AVR-160G/HV	515	161	159.5	591	168	76	113	115	86	18	18	80	53	19	289	474	25	63	20	26.5	98.4	45 KN	76kg